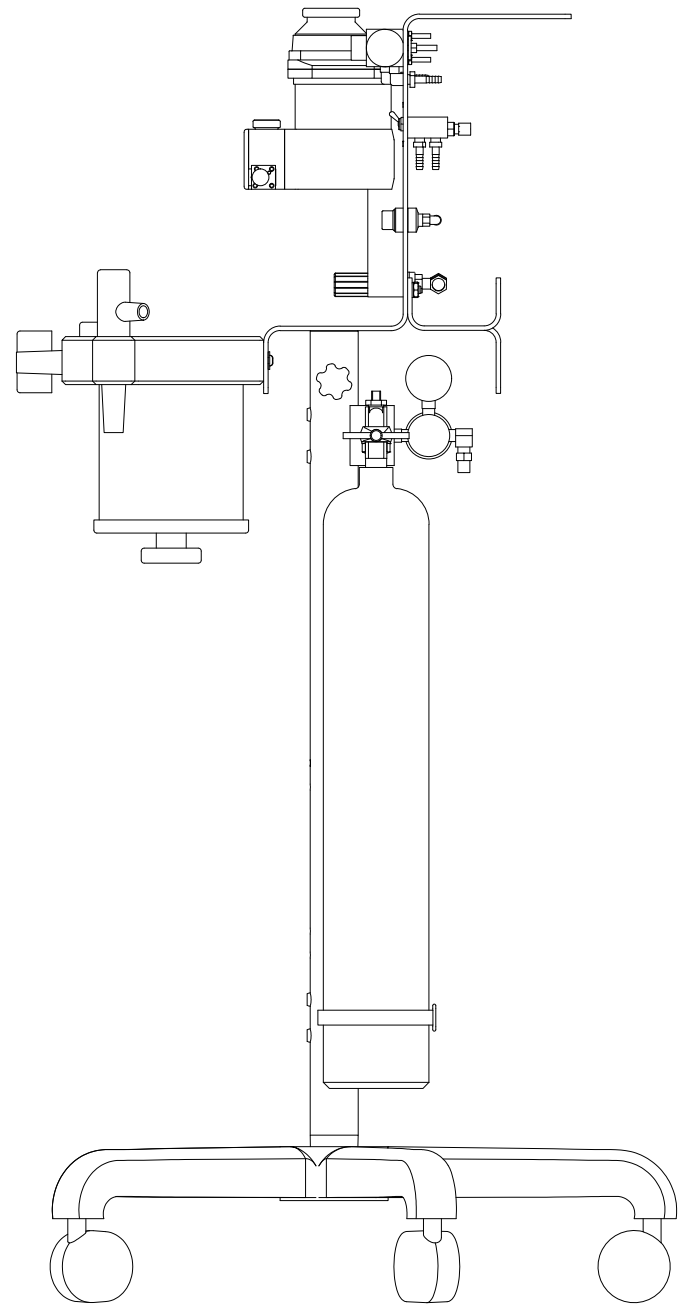
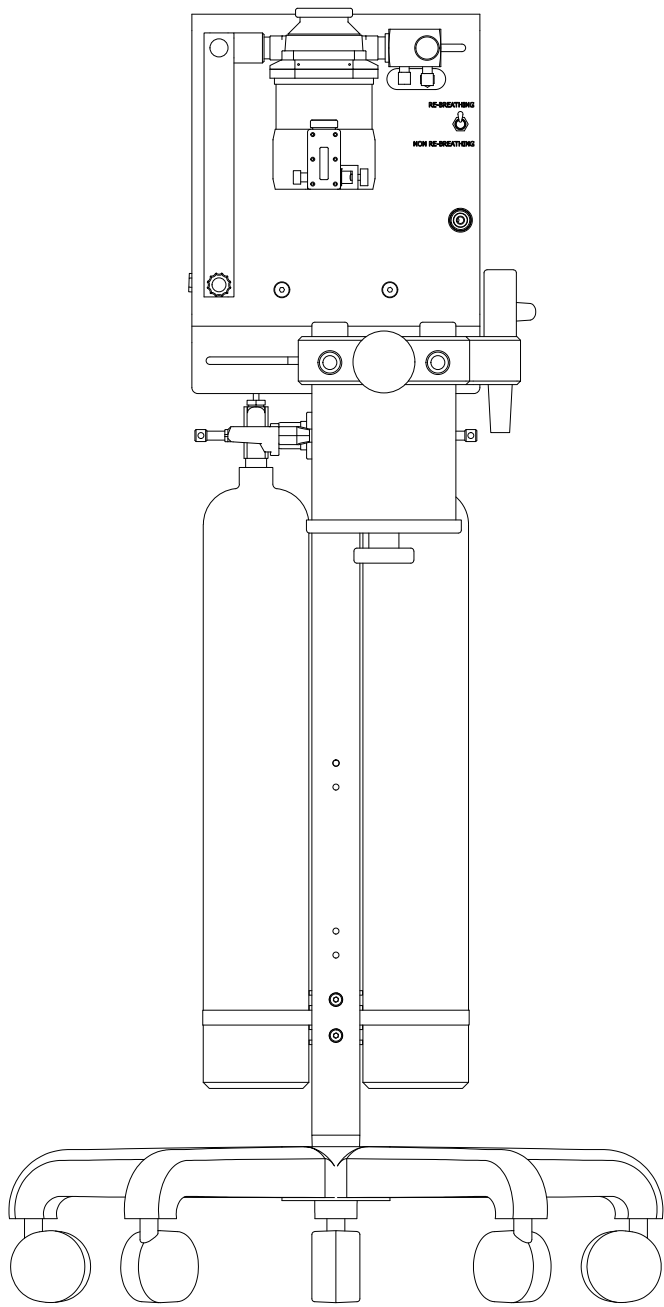
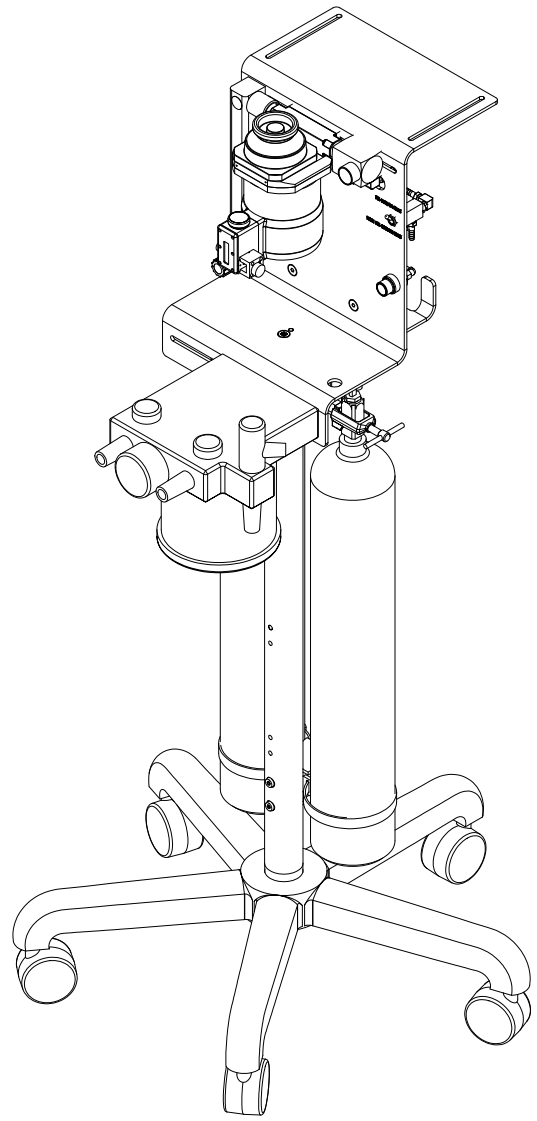
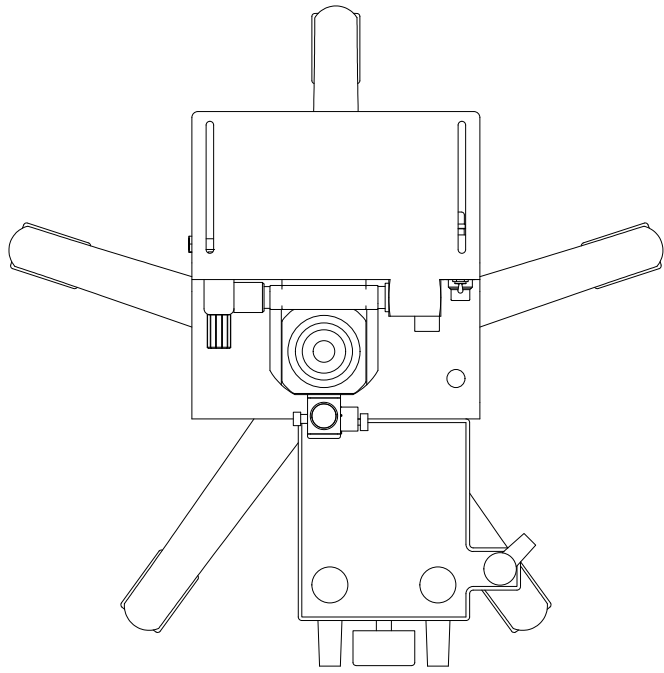


4

3

2


1



**NOTES**

A)

NOTICE TO ALL PERSONS RECEIVING THIS DRAWING, CONFIDENTIAL MATERIAL: Reproduction is forbidden without the written consent of D.A.M. Good Eng & Mfg, San Jose, California. This drawing is only conditionally issued, and neither possession nor receipt thereof confers or transfers any right in or license to use the subject matter of the drawing or any design or technical information shown thereon, except for manufacture for D.A.M. Good Eng & Mfg or for the manufacture under the corporation's written license. No rights are granted to reproduce this drawing or the subject matter thereof unless by written agreement or by written permission from the corporation.

DESIGNER: THOMAS FEILLER	DATE: 7/29/2009
DRAWN BY: THOMAS FEILLER	DATE: 7/29/2009
APPROVED BY: DAVE McMILLAN	DATE: 7/29/2009
SHEET: 1 OF 5	

<b>D.A.M. Good Engineering &amp; Manufacturing, Inc.</b> WWW.DAMGOOD.COM	
TITLE <b>VAPORIZER STAND</b>	
DWG NO: UVS- Vaporizer Stand	REV 1

4

3

2

1

4

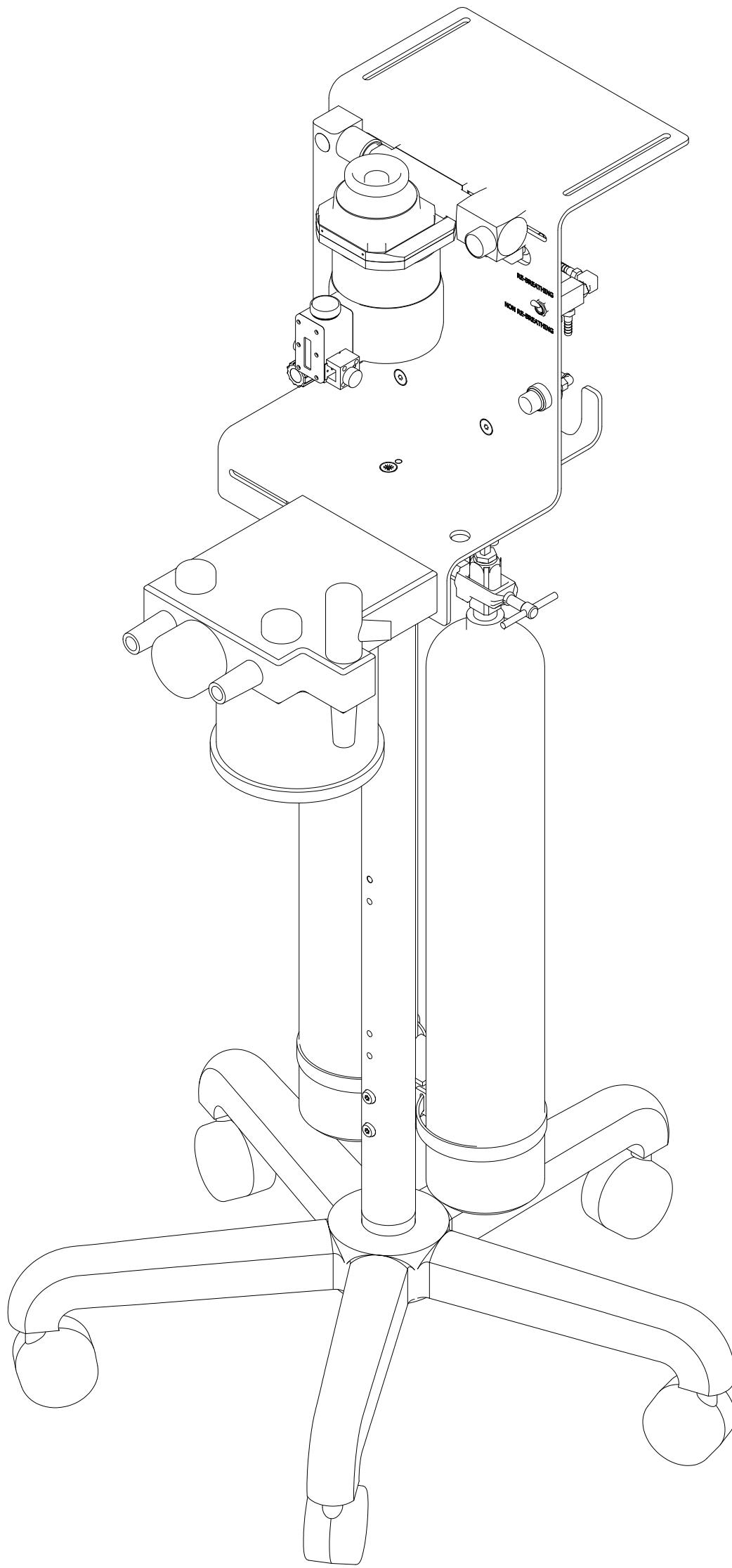
3

2

1

B

B



A

A

NOTICE TO ALL PERSONS RECEIVING THIS DRAWING, CONFIDENTIAL MATERIAL: Reproduction is forbidden without the written consent of D.A.M. Good Eng & Mfg, San Jose, California. This drawing is only conditionally issued, and neither possession nor receipt thereof confers or transfers any right in or license to use the subject matter of the drawing or any design or technical information shown thereon, except for manufacture for D.A.M. Good Eng & Mfg or for the manufacture under the corporation's written license. No rights are granted to reproduce this drawing or the subject matter thereof unless by written agreement or by written permission from the corporation.

DESIGNER:  
THOMAS FEILLER  
DATE: 7/29/2009  
DRAWN BY:  
THOMAS FEILLER  
DATE: 7/29/2009  
APPROVED BY:  
DAVE McMILLAN  
DATE: 7/29/2009  
SHEET:  
2 OF 5

DATE: 7/29/2009  
DATE: 7/29/2009  
DATE: 7/29/2009

**D.A.M. Good Engineering & Manufacturing, Inc.**  
WWW.DAMGOOD.COM

TITLE  
**VAPORIZER STAND**

DWG NO: UVS- Vaporizer Stand  
REV 1

4

3

2

1

4

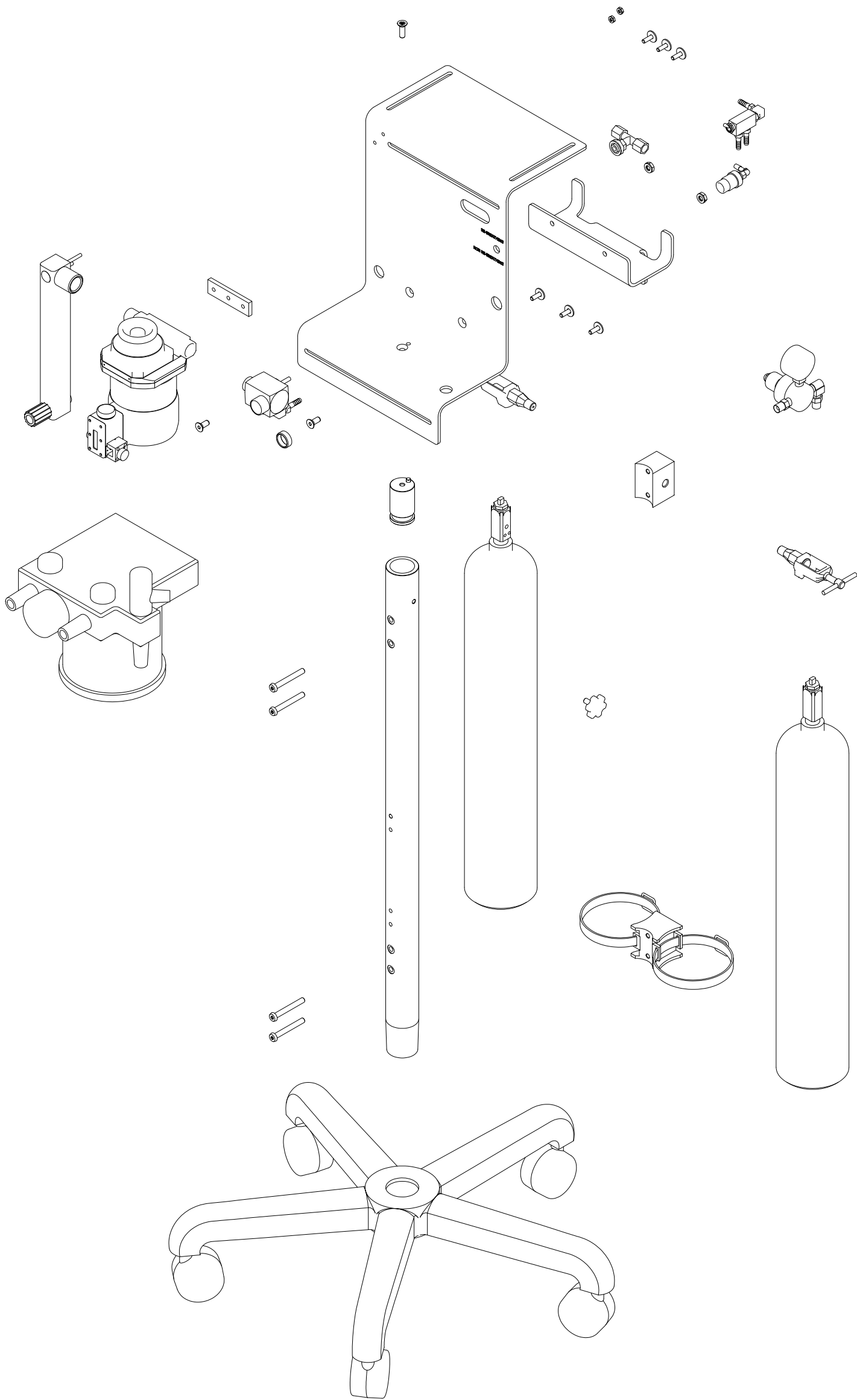
3

2

1

B

B



A

A

4

3

2

1

NOTICE TO ALL PERSONS RECEIVING THIS DRAWING, CONFIDENTIAL MATERIAL: Reproduction is forbidden without the written consent of D.A.M. Good Eng & Mfg, San Jose, California. This drawing is only conditionally issued, and neither possession nor receipt thereof confers or transfers any right in or license to use the subject matter of the drawing or any design or technical information shown thereon, except for manufacture for D.A.M. Good Eng & Mfg or for the manufacture under the corporation's written license. No rights are granted to reproduce this drawing or the subject matter thereof unless by written agreement or by written permission from the corporation.

DESIGNER:  
THOMAS FEILLER  
DATE: 7/29/2009  
DRAWN BY:  
THOMAS FEILLER  
DATE: 7/29/2009  
APPROVED BY:  
DAVE McMILLAN  
DATE: 7/29/2009  
SHEET:  
3 OF 5

DATE: 7/29/2009  
DATE: 7/29/2009  
DATE: 7/29/2009  
DATE: 7/29/2009

**D.A.M. Good Engineering & Manufacturing, Inc.**  
WWW.DAMGOOD.COM

TITLE  
**VAPORIZER STAND**

DWG NO: UVS- Vaporizer Stand  
REV 1



4

3

2

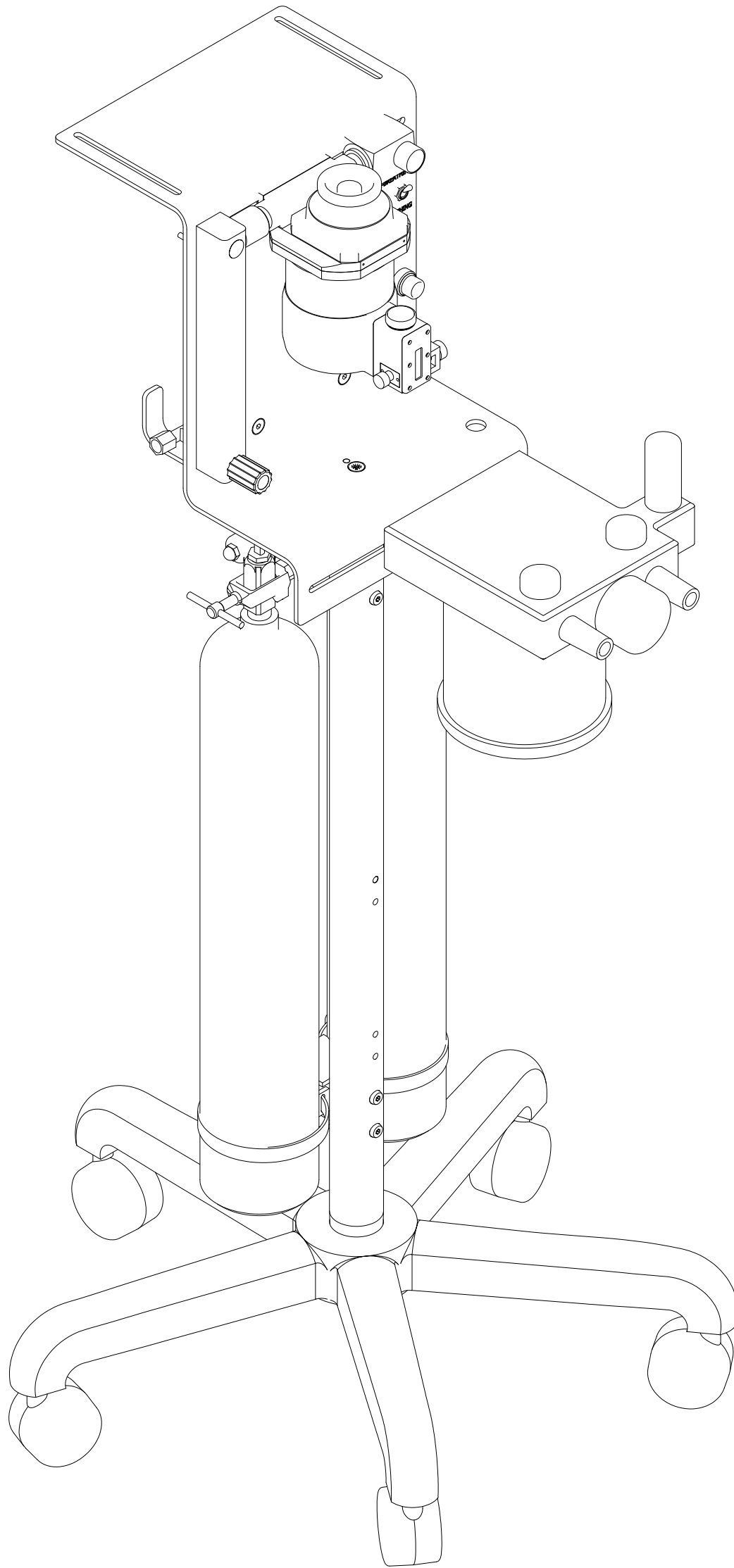
1

B

B

A

A



NOTICE TO ALL PERSONS RECEIVING THIS DRAWING, CONFIDENTIAL MATERIAL: Reproduction is forbidden without the written consent of D.A.M. Good Eng & Mfg, San Jose, California. This drawing is only conditionally issued, and neither possession nor receipt thereof confers or transfers any right in or license to use the subject matter of the drawing or any design or technical information shown thereon, except for manufacture for D.A.M. Good Eng & Mfg or for the manufacture under the corporation's written license. No rights are granted to reproduce this drawing or the subject matter thereof unless by written agreement or by written permission from the corporation.

DESIGNER:  
THOMAS FEILLER  
DATE: 7/29/2009  
DRAWN BY:  
THOMAS FEILLER  
DATE: 7/29/2009  
APPROVED BY:  
DAVE McMILLAN  
DATE: 7/29/2009  
SHEET:  
4 OF 5

DATE: 7/29/2009  
DATE: 7/29/2009  
DATE: 7/29/2009

**D.A.M. Good Engineering & Manufacturing, Inc.**  
WWW.DAMGOOD.COM

TITLE  
**VAPORIZER STAND**

DWG NO: UVS- Vaporizer Stand  
REV 1

4

3

2

1

4

3

2

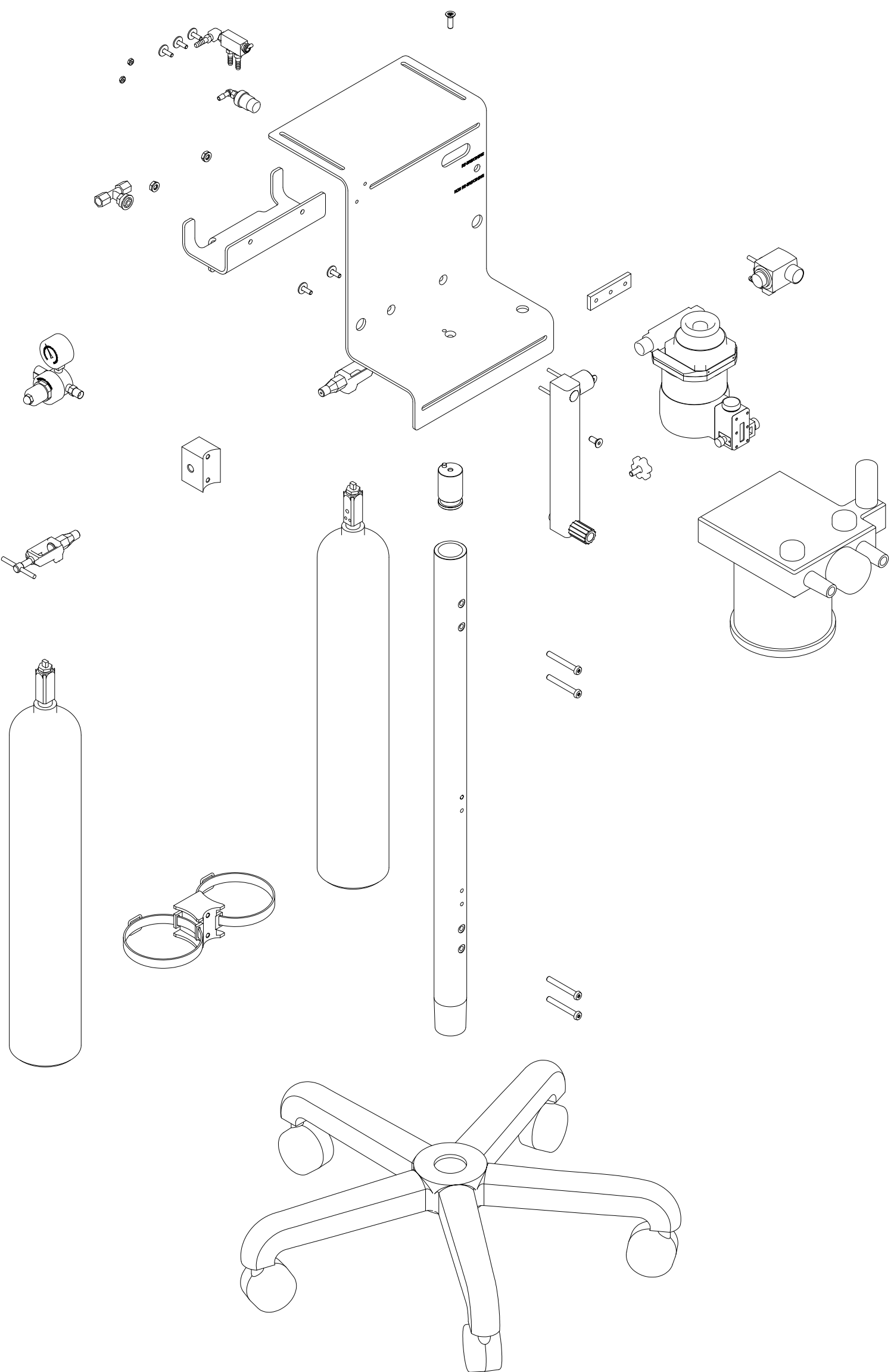
1

B

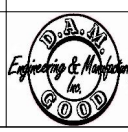
B

A

A



NOTICE TO ALL PERSONS RECEIVING THIS DRAWING, CONFIDENTIAL MATERIAL: Reproduction is forbidden without the written consent of D.A.M. Good Eng & Mfg, San Jose, California. This drawing is only conditionally issued, and neither possession nor receipt thereof confers or transfers any right in or license to use the subject matter of the drawing or any design or technical information shown thereon, except for manufacture for D.A.M. Good Eng & Mfg or for the manufacture under the corporation's written license. No rights are granted to reproduce this drawing or the subject matter thereof unless by written agreement or by written permission from the corporation.

DESIGNER: THOMAS FEILLER	DATE: 7/29/2009
DRAWN BY: THOMAS FEILLER	DATE: 7/29/2009
APPROVED BY: DAVE McMILLAN	DATE: 7/29/2009
SHEET: 5 OF 5	

<b>D.A.M. Good Engineering &amp; Manufacturing, Inc.</b> WWW.DAMGOOD.COM	
TITLE <b>VAPORIZER STAND</b>	
DWG NO: UVS- Vaporizer Stand	REV 1

4

3

2

1